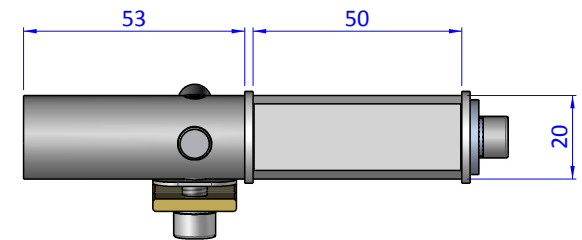
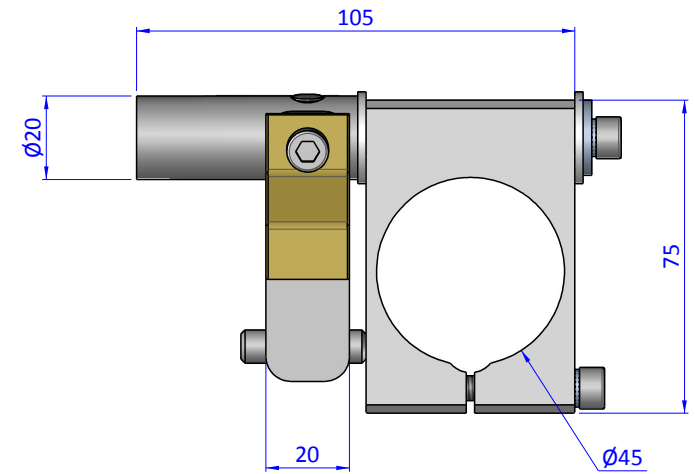
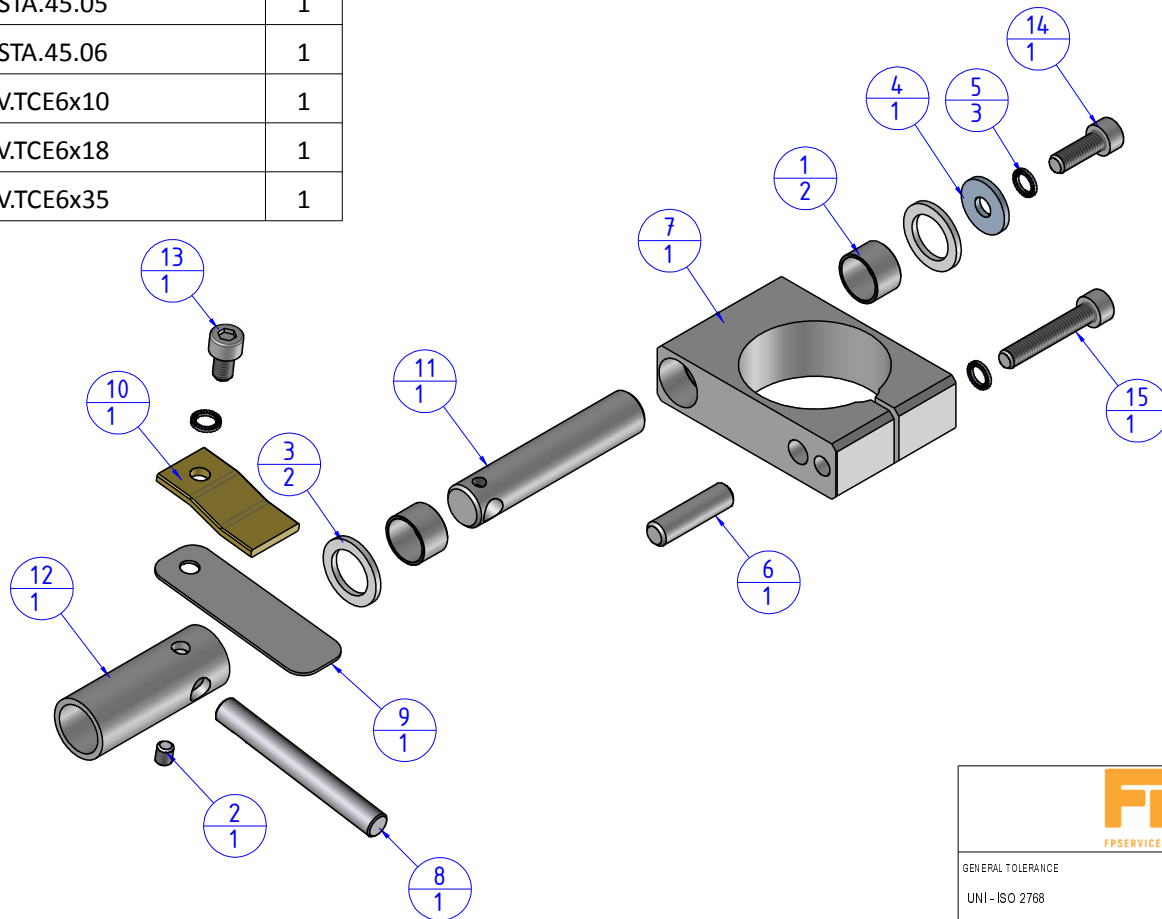



THE PROPERTY OF THE DRAWING IS ESTABLISHED BY LAW. IT IS FORBIDDEN TO PRODUCE OR SHOW IT TO THIRD PART WITHOUT A WRITTEN AGREEMENT.

Item	Name	Q.ty
1	EGB.141610	2
2	GR.5X6	1
3	PSP.15x22x02	2
4	R.6.18	1
5	R.6.SCH	3
6	SP.8x30	1
7	STA.45.01	1
8	STA.45.02	1
9	STA.45.03	1
10	STA.45.04.L	1
11	STA.45.05	1
12	STA.45.06	1
13	V.TCE6x10	1
14	V.TCE6x18	1
15	V.TCE6x35	1



Format A3

UNI 936-76

 <b>FPS</b> FPSERVICES AUTOMATION		DESIGNED FROM		REVIEW
		FPS Automation		A
GENERAL TOLERANCE		DATE	WEIGHT	
UNI - ISO 2768		16/05/2019	0.277kg	
CLASSE F		CODE		
		CA.STA.45		CA.STA.45